

Technical data sheet

Product features



Salamander digital 4 heating elements movable upper part Hi-Touch 400 V

Model	SAP Code	00010730
--------------	-----------------	----------



- Removable bottom shelf: Yes
- Continuously sliding upper part of the device with heating elements: Yes
- Automatic temperature control: Yes
- Stainless steel holder included for easy wall mounting: Yes
- Automatic switch off at the end of the cycle and acoustic signaling: Yes
- HOLD function for temperature maintenance: Yes
- Number of heating elements: 4 heating elements, 2 heating options

SAP Code	00010730	Power electric [kW]	6.000
Net Width [mm]	735	Loading	400 V / 3N - 50 Hz
Net Depth [mm]	580	Removable bottom shelf	Yes
Net Height [mm]	520	Number of heating elements	4 heating elements, 2 heating options
Net Weight [kg]	65.00		

Technical data sheet

Technical drawing

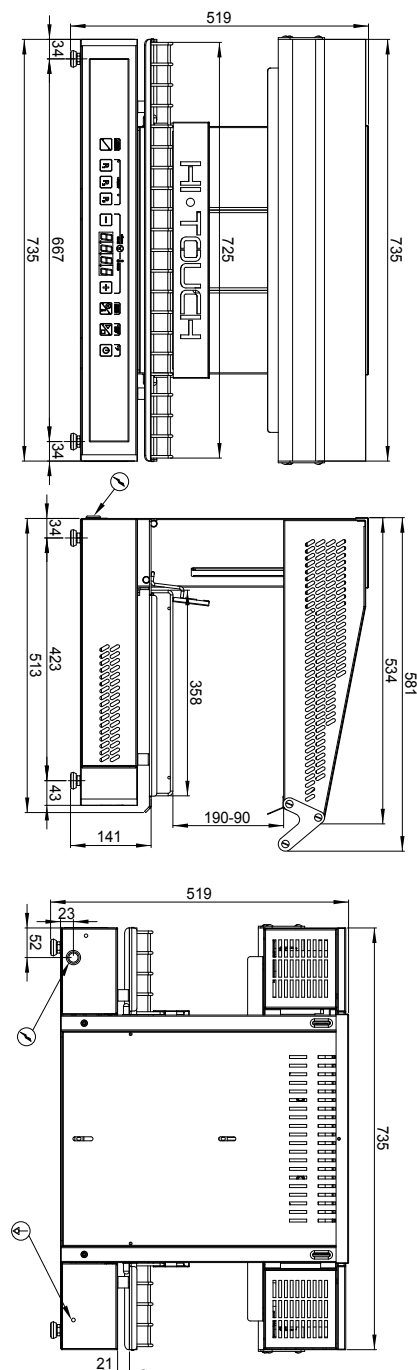


Salamander digital 4 heating elements movable upper part Hi-Touch 400 V

Model

SAP Code

00010730



Technical data sheet

Product benefits



Salamander digital 4 heating elements movable upper part Hi-Touch 400 V

Model	SAP Code	00010730
--------------	-----------------	----------

- 1 Vermiculite heating segment cover**
immediate barrier-free penetration of heat and light from the heating segments
very durable material
 - intensive heat treatment of food
- 2 Special heating elements,**
instant thermal run-up
 - salamander does not need to be continuously switched on, food is cooked in real time, no waste heat is generated in the kitchen
- 3 Sliding system**
a sliding system enabling a smooth shift of the lift and setting the required distance from the food
 - convenient control without the need to exert force to adjust the distance needed to cook the food
- 4 Programmable**
the control panel allows you to set individual times for different foods
 - setting of programmed times allows operation by non-expert personnel
- 5 Individual zone control**
control elements enabling switching on individual zones of the device
saves energy and extends its life
 - energy saving
 - allows for the preparation of different sized foods
- 6 Stainless steel construction**
construction material is high quality stainless steel ensuring long life
high hygiene standard
 - safe food preparation; long service life; easy cleaning
- 7 Wall mount**
construction allowing hanging on a wall or structure
 - space saving in the kitchen; easy access
- 8 Automatic shutdown**
automatic shutdown at the end of the set cycle
acoustic signal
 - Prevents food spoilage

Technical data sheet

Technical parameters



Salamander digital 4 heating elements movable upper part Hi-Touch 400 V

Model	SAP Code
	00010730

1. SAP Code:

00010730

2. Net Width [mm]:

735

3. Net Depth [mm]:

580

4. Net Height [mm]:

520

5. Net Weight [kg]:

65.00

6. Gross Width [mm]:

830

7. Gross depth [mm]:

645

8. Gross Height [mm]:

730

9. Gross Weight [kg]:

78.00

10. Device type:

Electric unit

11. Material:

Stainless steel

12. Device heating type:

Infrared emitter

13. Power electric [kW]:

6.000

14. Loading:

400 V / 3N - 50 Hz

15. Maximum device temperature [°C]:

230

16. Control type:

Touchscreen

17. GN / EN size in device:

GN 1/1

18. Removable bottom shelf:

Yes

19. Continuously sliding upper part of the device with heating elements:

Yes

20. Automatic temperature control:

Yes

21. Stainless steel holder included for easy wall mounting:

Yes

22. Automatic switch off at the end of the cycle and acoustic signaling:

Yes

23. HOLD function for temperature maintenance:

Yes

24. Number of heating elements:

4 heating elements, 2 heating options
– 4 topné elementy, 2 varianty ohřevu

Technical data sheet

Technical parameters



Salamander digital 4 heating elements movable upper part Hi-Touch 400 V

Model

SAP Code

00010730

25. Cross-section of conductors CU [mm²]:

1

– Výkon (kW): 3,7-5 (230 V); 6,4-8,7 (400 V)